

# SR-RM LCD Display Unit

SR-RM-6



## Product Features

- ◆ LCD graphical main menu, for real-time monitoring of real-time data and operating status of the controller.
- ◆ Two-button design for menu viewing and parameters setting, easy to operate.
- ◆ No external power supply is required, and the LCD unit can be powered by connecting it to the controller via a communication cable.
- ◆ Embedded installation.
- ◆ Industrial grade design, allowing for use in a variety of harsh environments.

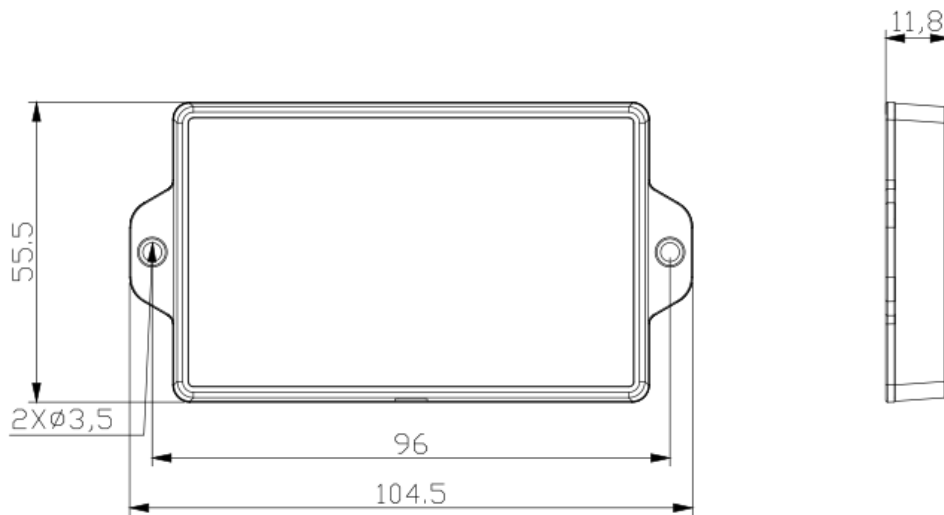
## Product picture



## Installation Dimensions

Product dimensions: 104.5\*55.5\*11.8mm

Installation dimensions: 96\* $\varnothing$ 3.5mm



## Technical Parameters

| Items                           | Parameter values                           |
|---------------------------------|--|
| Model                           | RM-6                                       |
| Applicable models of controller | MC2420N10/MC2430N10<br>MC2440N10/MC2450N10 |
| Input voltage                   | 5V-12V                                     |
| Standby power consumption       | < 0.03W                                    |
| Operating power consumption     | < 0.04W                                    |
| Fixed baud rate                 | 9600bps                                    |
| Communication mode              | TTL  |
| Interface type                  | PH2.0                                      |
| Connection cable length         | 1.5M                                       |
| Operating temperature           | -35°C ~ +65°C                              |
| IP rating                       | IP32                                       |
| Weight                          | 90g  |
| Altitude                        | ≤ 3000M                                    |
| Dimensions                      | 104.5*55.5*11.8mm                          |